

Fisher & Paykel
appliances

customer care™

Fisher & Paykel

DishDrawer®

DD60DDFHX7 FP EU

Product Code: 89481-A

Parts Manual

EU

Brand:	Fisher & Paykel
Voltage:	220-240V, 50H
Model:	DD60DDFHX7 FP EU
Product Code:	89481-A

Model

- The model covered by this manual is listed on the front cover.
- The information detailed in this manual is subject to change without notice. The latest version is indicated by the reprint date and replaces any earlier editions.

Kit Parts

Kit components are shown in *italics*. Where a part number is shown against the descriptions for these kit components, they are also available as separate items. In addition, some parts may be supplied with these kits that are not available as separate items, and are therefore either not listed, or a part number is not shown against the part description in this manual.

Parts List Key

<i>italics</i>	Kit components or parts included are shown in italics. Refer to above notes: Kit Parts.
NI	As a part reference, indicates the part is not illustrated on the diagram.
NOT USED	As a part number, indicates the diagram part reference is not used in this manual.

FRONT PANELS/CONTROLS	3
CABINET ASSEMBLY	5
LID & LINK ASSEMBLY	9
TUB & COMPONENTS	11
BASKET & RACKS	17
INSTALLATION COMPONENTS	19

Fisher & Paykel Appliances Limited
Maidstone Road
Kingston
Milton Keynes, Buckinghamshire
MK10 0BD

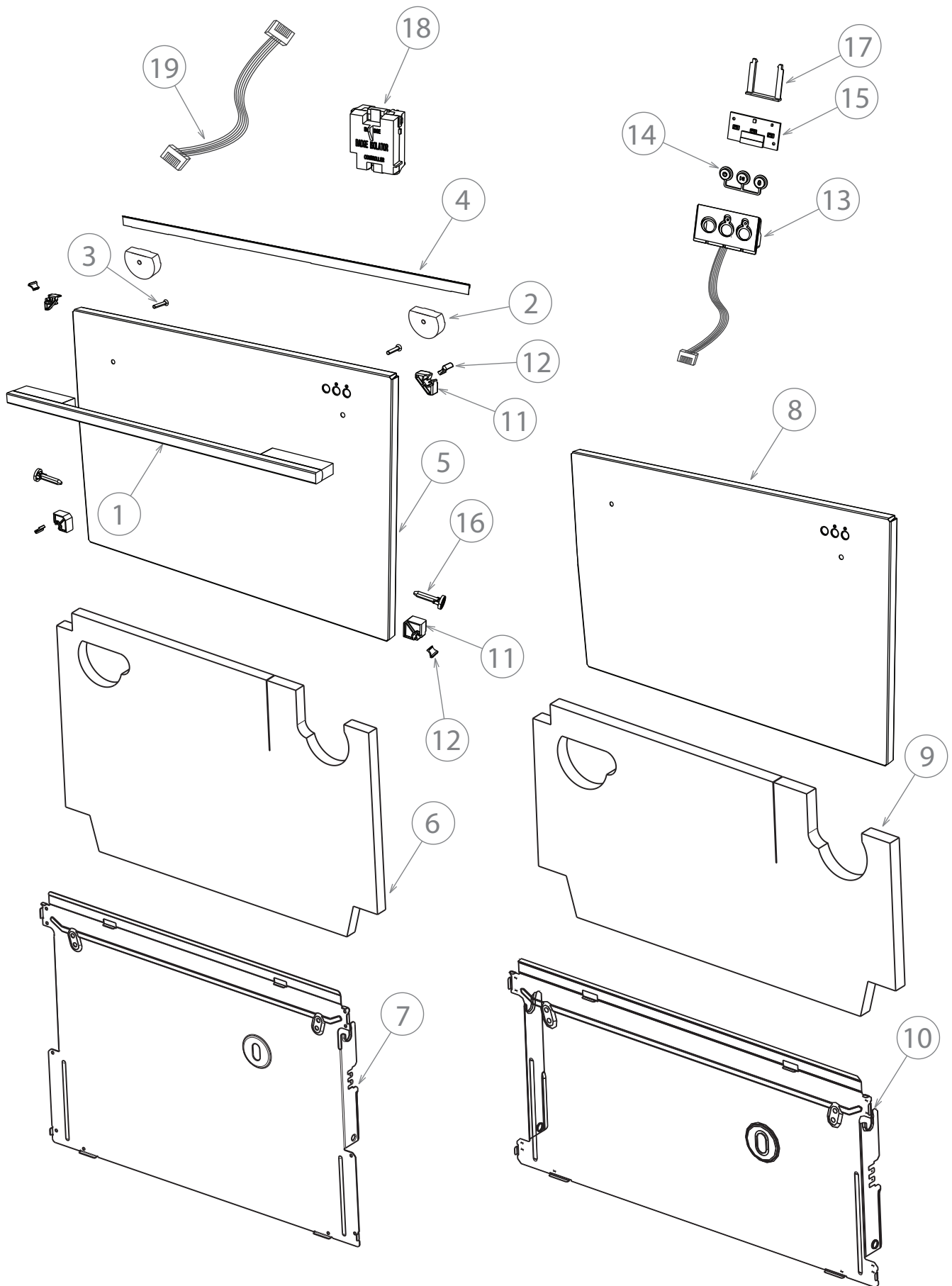
toll free: 0845 066 2200

fax: 0845 331 2360

email: customer.care@fisherpaykel.co.uk

web: www.fisherpaykel.com

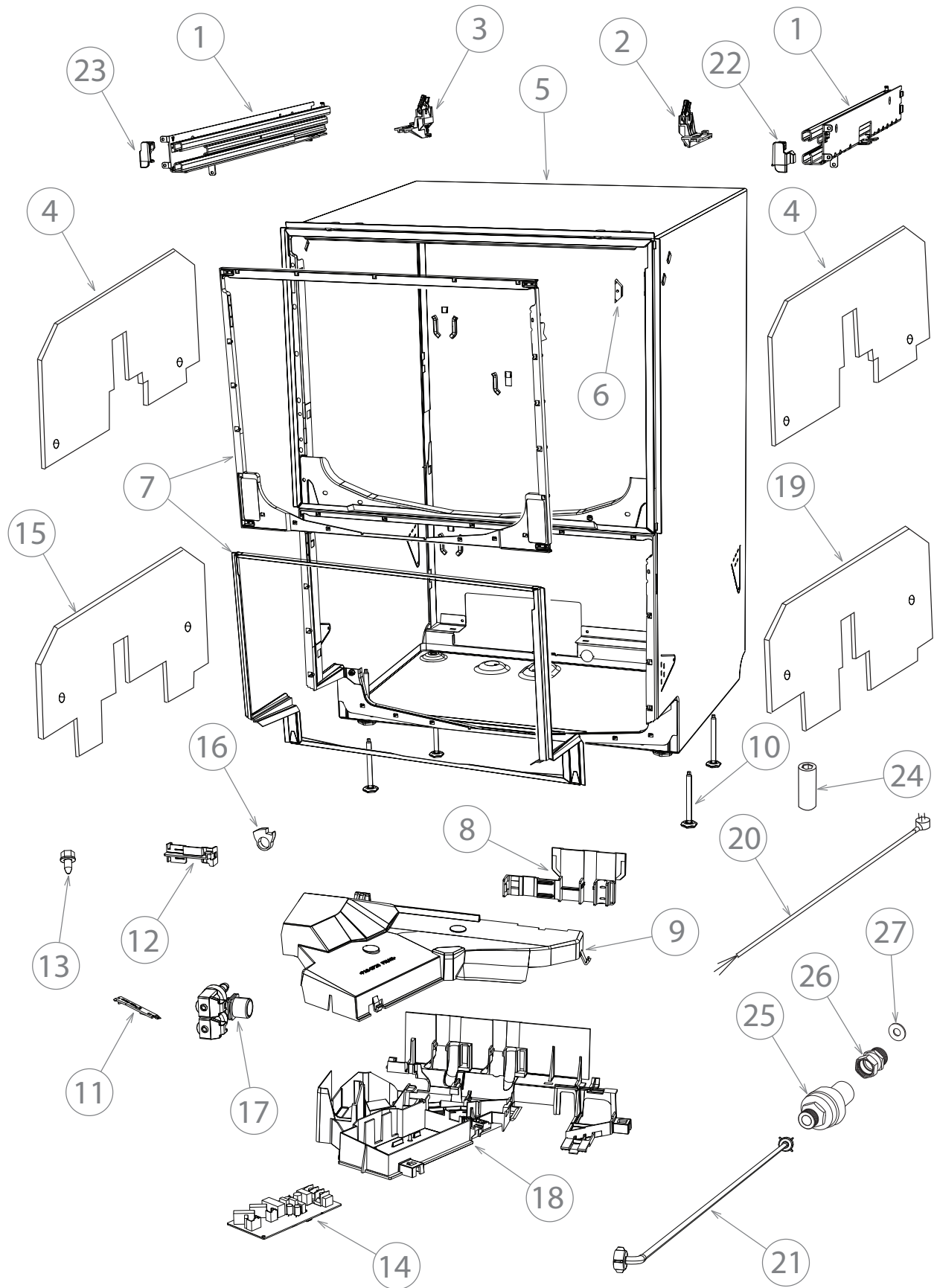
3 FRONT PANELS/CONTROLS



REF.	PART NUMBER	PART DESCRIPTION
1	574420	HANDLE D2 ASSY 565 BRUSHED
2	528493	SUPPORT HANDLE FLAT DOOR
3	529048P	SCREW MC M5X25 PN NIB PH (PKT 2)
4	527504	SEAL INTEGRATED DOOR
5	522066	DOOR FLAT UPPER ASSY SE 605
	<i>Includes 527678</i>	CLIP CORNER FLAT DOOR (4)
	<i>Includes 527679</i>	OUTER CORNER DOOR FLAT (4)
	<i>Includes 528073</i>	HOUSING ASSY BADGE DESIGNER
	<i>Includes</i>	DOOR 605 DESIGNER SE TOP
6	527431	DOOR FLAT INFILL UPPER
7	528123	PANEL REAR 605 TOP
NI	546692P	SCREW ST 8X12MM TAB MTS (PKT 10)
8	522067	DOOR FLAT LOWER ASSY SE 605
	<i>Includes 527678</i>	CLIP CORNER FLAT DOOR (4)
	<i>Includes 527679</i>	OUTER CORNER DOOR FLAT (4)
	<i>Includes 528073</i>	HOUSING ASSY BADGE DESIGNER
	<i>Includes</i>	DOOR 605 DESIGNER SE BTM
9	527544	DOOR FLAT INFILL LOWER
10	528178	PANEL REAR 605 BTM
NI	546692P	SCREW ST 8X12MM TAB MTS (PKT 10)
11	527678	CLIP CORNER FLAT DOOR
12	527679	OUTER CORNER DOOR FLAT
13	528607P	BADGE ASSY DESIGNER
	<i>Includes 528073</i>	HOUSING ASSY BADGE DESIGNER
	<i>Includes</i>	HOUSING BADGE DESIGNER
	<i>Includes</i>	LIGHT PIPES BADGE DESIGNER
	<i>Includes</i>	TAPE BADGE DESIGNER
	<i>Includes 527429</i>	BUTTONS BADGE DESIGNER
	<i>Includes 527784P</i>	DESIGNER SERIES BADGE PCB ASSY
	<i>Includes</i>	HARNESS BADGE PH3.5
	<i>Includes 527691</i>	LOCKBAR BADGE DESIGNER SERIES
14	527429	BUTTONS BADGE DESIGNER
15	528762P	DESIGNER SERIES BADGE PCB ASSY
16	524781	PIN DOOR MID GREY
17	527691	LOCKBAR BADGE DESIGNER SERIES
18	528609RP	BADGE ISOLATOR VERSION 2 ROHS
19	529854	HARNESS BADGE ISOLATOR PH5



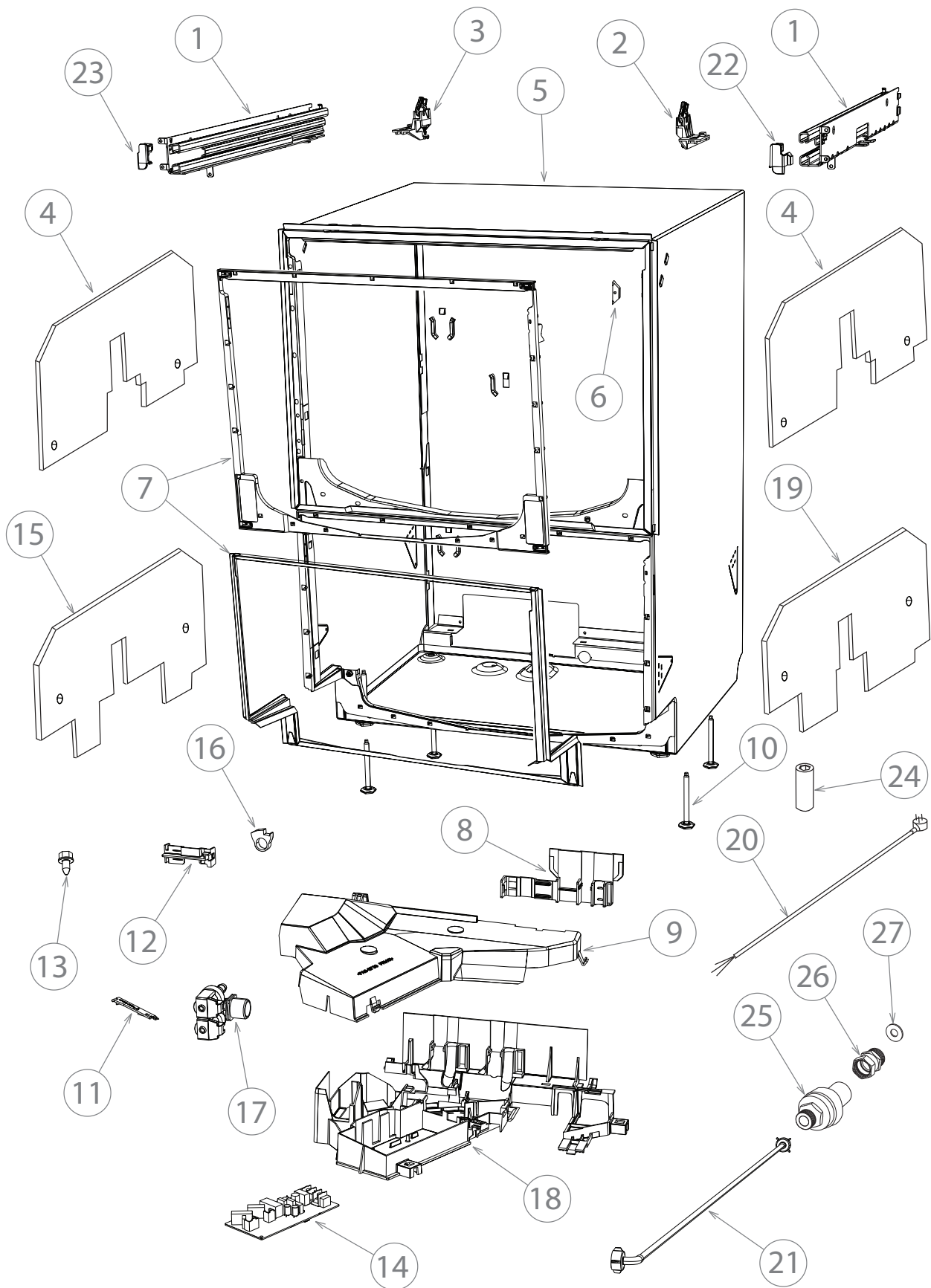
5 CABINET ASSEMBLY



REF.	PART NUMBER	PART DESCRIPTION
1	524116P	KIT BRACKET SLIDE RH & LH ASSY
	<i>Includes</i>	<i>BRACKET SLIDE RH ASSY X 1</i>
	<i>Includes</i>	<i>BRACKET SLIDE LH ASSY X 1</i>
	<i>Includes 556607</i>	<i>SCREW MC M5X10 TAPTITE X 6</i>
	<i>Includes</i>	<i>INSTR SHT SLIDE BRACKET SPARE KIT</i>
NI	556607P	SCREW MC M5X10 TAPTITE (PKT 10)
2	522584	LATCH ASSY RH DD 606
3	522585	LATCH ASSY LH DD 606
4	528821	INSULATION CHASSIS TOP
5	522914	KIT REPLACE CHASSIS DD60D5/6
	<i>Includes 525968</i>	<i>MOUNT LINK TOP</i>
	<i>Includes</i>	<i>CHASSIS DOUBLE ASSY GALV</i>
	<i>Includes</i>	<i>INSTR SHT CHASSIS REPLACE PH3/5/6</i>
	<i>Includes</i>	<i>TAB TOP (2)</i>
	<i>Includes</i>	<i>INSTALL TAB TTA</i>
	<i>Includes</i>	<i>INSTALL TAB TTB</i>
	<i>Includes 527881</i>	<i>TRIM UPPER COMOULD</i>
	<i>Includes 527884</i>	<i>TRIM LOWER COMOULD</i>
	<i>Includes 523277</i>	<i>PRISM TUB HOME 2MM LOW (2)</i>
	<i>Includes 528941</i>	<i>FOOT (4)</i>
6	523277	PRISM TUB HOME 2MM LOW
7	523397	KIT TRIMSEAL DD60D
	<i>Includes</i>	<i>TRIM SEAL UPPER COMOULD ASSY</i>
	<i>Includes</i>	<i>TRIM SEAL LOWER COMOULD ASSY</i>
	<i>Includes 523277</i>	<i>PRISM TUB HOME 2MM LOW (2)</i>
8	525968	MOUNT LINK TOP
9	527732	COVER MAINS FILTER
10	528941	FOOT
11	527727	GROMMET 605 CHASSIS MODULE
12	526250	RETAINER LINK
13	556082P	SCREW ST M4X12 XTITE HXW (PKT 10)
14	523254P	MOD CHAS PH5.1 DBL 230V RH SV
15	528820	INSULATION CHASS BOT LFT
16	525466	CLAMP HOSE HERBIE TYPE E
17	529730	VALVE INLET DOUBLE 605

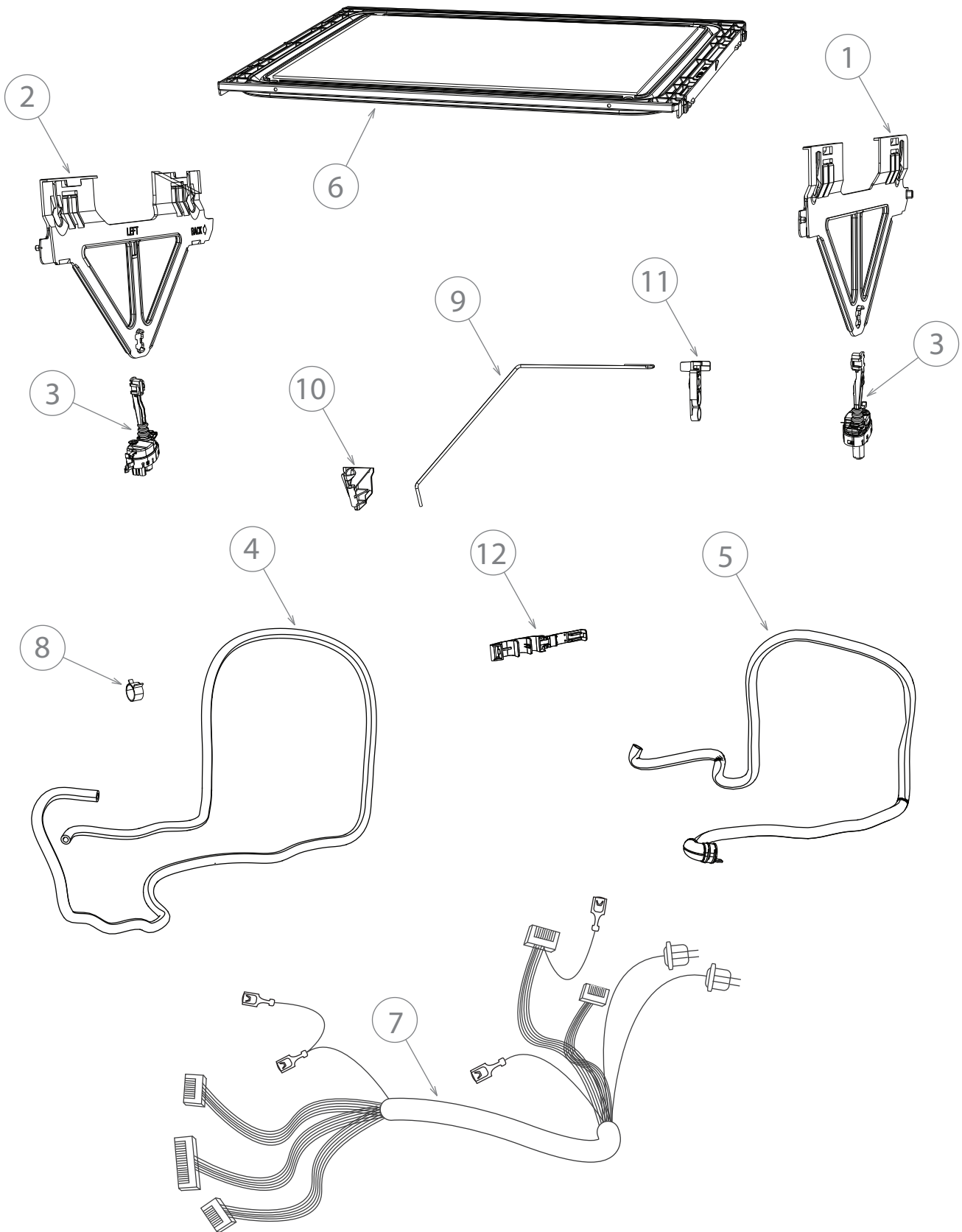


7 CABINET ASSEMBLY

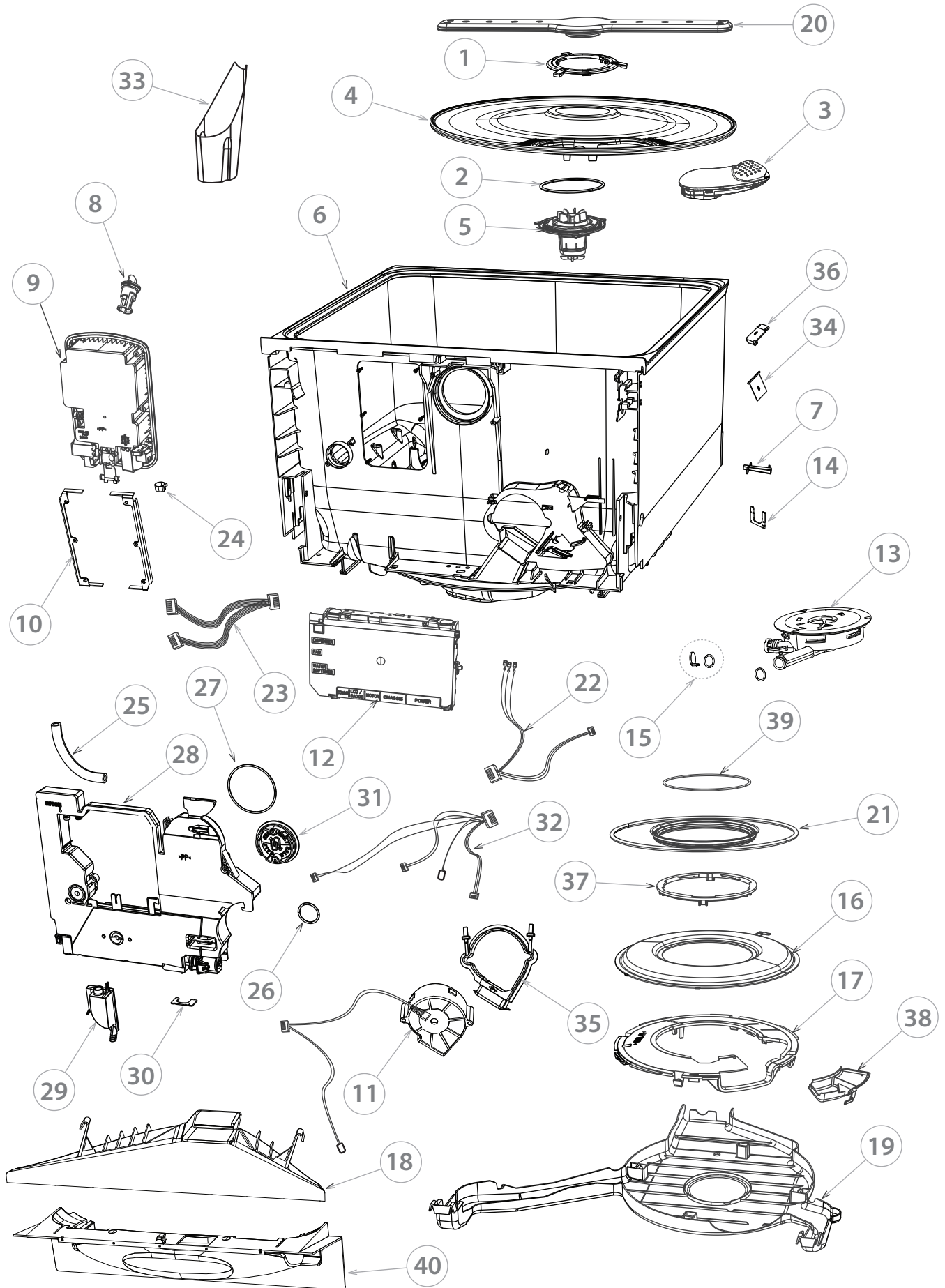


REF.	PART NUMBER	PART DESCRIPTION
18	522143	KIT HOUSING MAINS FILTER ASSY 605
	<i>Includes</i>	<i>HOUSING MAINS FILTER 605</i>
	<i>Includes 527727</i>	<i>GROMMET 605 CHASSIS MODULE</i>
	<i>Includes 526250</i>	<i>RETAINER LINK (2)</i>
NI	528783P	SCREW ST M3.5X25 PLASTBK (PKT 10)
19	528819	INSULATION CHASS BOT RGT
20	529698	FLEX MAINS 605 EU
NI	532017	TERM STRIP SADDLE NIPL
NI	556607P	SCREW MC M5X10 TAPTITE (PKT 10)
21	527021	HOSE INLET ASSY EU/ROW
22	524783	CLIP TUB RELEASE RH MID GREY
23	524782	CLIP TUB RELEASE LH MID GREY
24	522158	KIT FOOT TOOLS 605
	<i>Includes</i>	<i>FOOT TOOL 605</i>
	<i>Includes</i>	<i>FOOT TOOL 45MM 605</i>
25	527096	WATER BLOCK
26	523667	G20 MALE G20 FEMALE ADAPTER
27	527141P	WASHER WIRSBO (PKT 10)

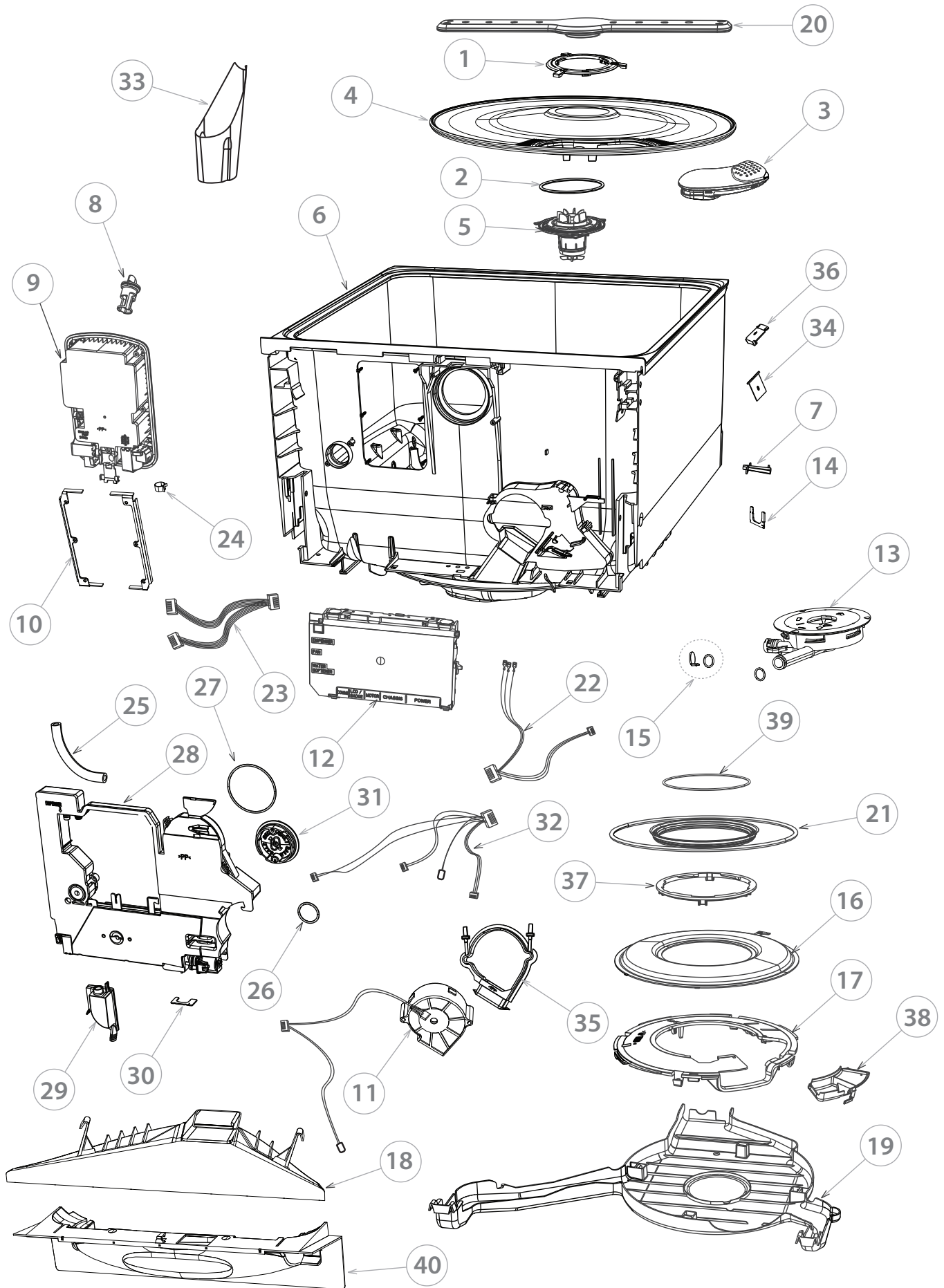
9 LID & LINK ASSEMBLY



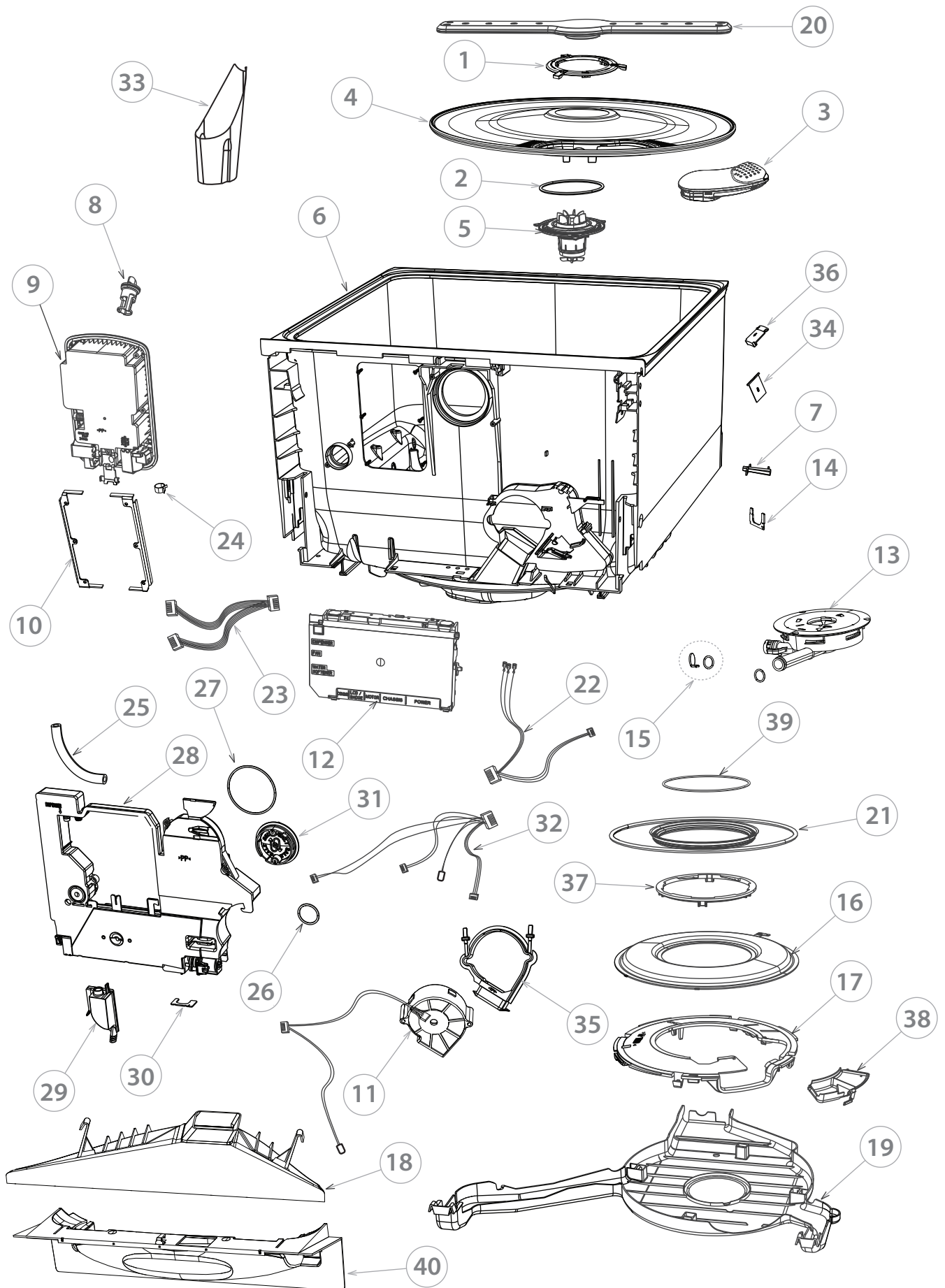
REF.	PART NUMBER	PART DESCRIPTION
1	529969	LID YOKE RIGHT
2	529970	LID YOKE LEFT
3	522085	KIT LID ACTUATORS 605 (PKT 2)
4	526837	HOSE FILL LOWER
	522401	HOSE FILL CO-EX UPPER
5	522086	KIT DRAIN HOSE 605
	<i>Includes</i>	<i>O RING CUFF SOCKET UL REC</i>
	<i>Includes</i>	<i>HOSE DRAIN UPPER ASSY 605</i>
	<i>Includes</i>	<i>FLAP VALVE DRAIN 605</i>
NI	525798	KIT DRAIN HOSE EXTENSION 3.6M
	<i>Includes</i>	<i>DRAIN HOSE EXTENSION (2)</i>
	<i>Includes 525482</i>	<i>CLIP WIRE DRAIN (4)</i>
	<i>Includes</i>	<i>DRAIN HOSE JOINER (2)</i>
NI	527394	KIT DRAIN HOSE JOINER
	<i>Includes 525482</i>	<i>CLIP WIRE DRAIN (2)</i>
	<i>Includes</i>	<i>DRAIN HOSE JOINER</i>
6	529964P	LID ASSY PH5
7	522536	HARNESS CHASSIS LOWER DD60
	522537	HARNESS CHASSIS UPPER DD60
8	528674	CLAMP HOSE TYPE 12232-17-4
9	528095	ROD LINK SUPPORT
10	528101	BRACKET LINK SUPPORT
11	528162	CLIP LINK SUPPORT
12	528537P	CLIP LINK TUB SIDE (PKT 10)



REF.	PART NUMBER	PART DESCRIPTION
1	524845	LOCKNUT FPLATE MID GREY
2	523049	O RING 238 SILICONE 40
3	524828	DRAIN FILTER ASSY FPOM 607 V2
4	524888	KIT FILTER PLATE OMOLD 60 MID
	<i>Includes</i>	<i>FILTER PLATE OVERMOULD ASSY</i>
	<i>Includes 524845</i>	<i>LOCK NUT FPLATE MID GREY</i>
5	528136P	MOTOR ROTOR ASSY 605 SP
6	524755P	KIT TUB TALL W/A 60H7 SYM ECO V2
7	528276	LIGHT PIPE TUB HOME 605
8	524837	BUNG ASSY DISPENSER R/AID MID GREY
9	524887	KIT DISPENSER MID GREY
	<i>Includes</i>	<i>DISPENSER DISHDRAWER MID GREY</i>
	<i>Includes 526789</i>	<i>BRACKET DISPENSER SHORT (2)</i>
NI	556155P	SCREW M3.5X14 PANTX K35 (PKT 10)
10	526789	BRACKET DISPENSER SHORT
11	522006	HARNESS & FAN ASSY
12	523728EUP	MOD CTRL 525 P7 DD60 230V RH
NI	529041	PANEL CONTROLLER 605
13	522088	KIT MOTOR ASSY PH5
	<i>Includes</i>	<i>MOTOR ASSY COMP PH5</i>
	<i>Includes 525058</i>	<i>SEAL HEATER PLATE/TUB</i>
	<i>Includes 525940</i>	<i>O RING CUFF SOCKET UL REC</i>
	<i>Includes 522178</i>	<i>O RING 208 DRAIN INLET</i>
	<i>Includes 529169</i>	<i>SEAL ELEMENT INNER 605</i>
	<i>Includes 529194</i>	<i>FLAP VALVE DRAIN 605</i>
	<i>Includes 522154</i>	<i>SHIM MOTOR ASSY 605</i>
	<i>Includes</i>	<i>INSTRUCTIONS SHIM MOTOR ASSY</i>
14	528785P	HALL SENSOR PCB ASSY 605 ROHS
15	522150	KIT FLAP VALVE/O RING 605 (PKT 2)
	<i>Includes</i>	<i>FLAP VALVE DRAIN 605 (2)</i>
	<i>Includes</i>	<i>O RING CUFF SOCKET UL REC (2)</i>
16	522090	KIT HEATER PLATE 605 230V
	<i>Includes</i>	<i>HEATER PLATE 605 230V</i>
	<i>Includes 525058</i>	<i>SEAL HEATER PLATE/TUB</i>
	<i>Includes 525940</i>	<i>O RING CUFF SOCKET UL REC</i>
	<i>Includes 522178</i>	<i>O RING 208 DRAIN INLET</i>

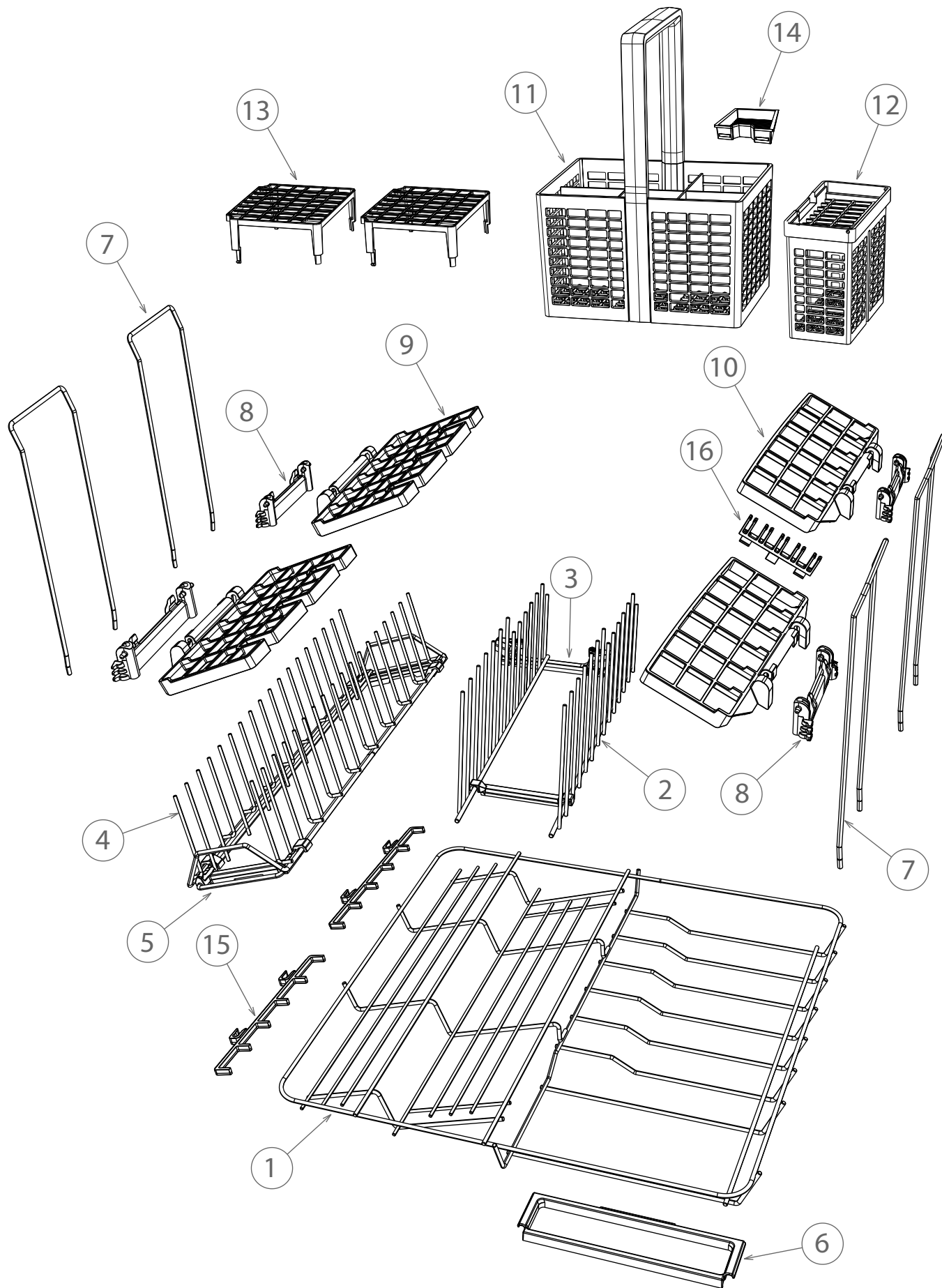


REF.	PART NUMBER	PART DESCRIPTION
	<i>Includes 529169</i>	SEAL ELEMENT INNER 605
	<i>Includes 529194</i>	FLAP VALVE DRAIN 605
	<i>Includes 522154</i>	SHIM MOTOR ASSY 605
	<i>Includes</i>	INSTRUCTIONS SHIM MOTOR ASSY
17	529151	LOCKNUT OUTER 605
18	522578	EXIT DUCT ASSY
19	529152	COVER WIRING CO-MOULD 605
20	524786	SPRAY ARM ASSY 607 V2
21	522089	KIT SEAL WASH 605
	<i>Includes 525058</i>	SEAL HEATER PLATE/TUB
	<i>Includes 525940</i>	O RING CUFF SOCKET UL REC
	<i>Includes 522178</i>	O RING 208 DRAIN INLET
	<i>Includes 529169</i>	SEAL ELEMENT INNER 605
	<i>Includes 529194</i>	FLAP VALVE DRAIN 605
	<i>Includes 522154</i>	SHIM MOTOR ASSY 605
	<i>Includes</i>	INSTRUCTIONS SHIM MOTOR ASSY
22	529683	HARNESS MOTOR PH5
23	526263	HARNESS DISPENSER PH3
24	528674	CLAMP HOSE TYPE 12232-17-4
25	528756	HOSE FILL SOFTENER
26	526718	O RING OVERFLOW SOFTENER
27	526717	O RING SALT TANK
28	524886	KIT WATER SOFTENER ASSY (SP) MID GREY
	<i>Includes</i>	WATER SOFTENER ASSY MID GREY
	<i>Includes</i>	DIVERTER VALVE SOFTENER ASSY
	<i>Includes</i>	BRINE PUMP ASSY
	<i>Includes 526718</i>	O RING OVERFLOW SOFTENER
	<i>Includes 526717</i>	O RING SALT TANK
	<i>Includes 524842</i>	BUNG SOFTENER ASSY MID GREY
	<i>Includes 528606P</i>	SALT SENSE SMD 525 PH3.5 ROHS
	<i>Includes 556155</i>	SCREW M3.5X14 PANTX WN1412KL35 (4)
	<i>Includes 522765</i>	STRAINER SOFTENER ASSY
	<i>Includes</i>	O RING STRAINER SOFTENER
	<i>Includes</i>	INSTRUCTION SHEET SOFTENER
	<i>Includes</i>	O RING STRAINER SOFTENER
	<i>Includes</i>	INSTRUCTION SHEET SOFTENER



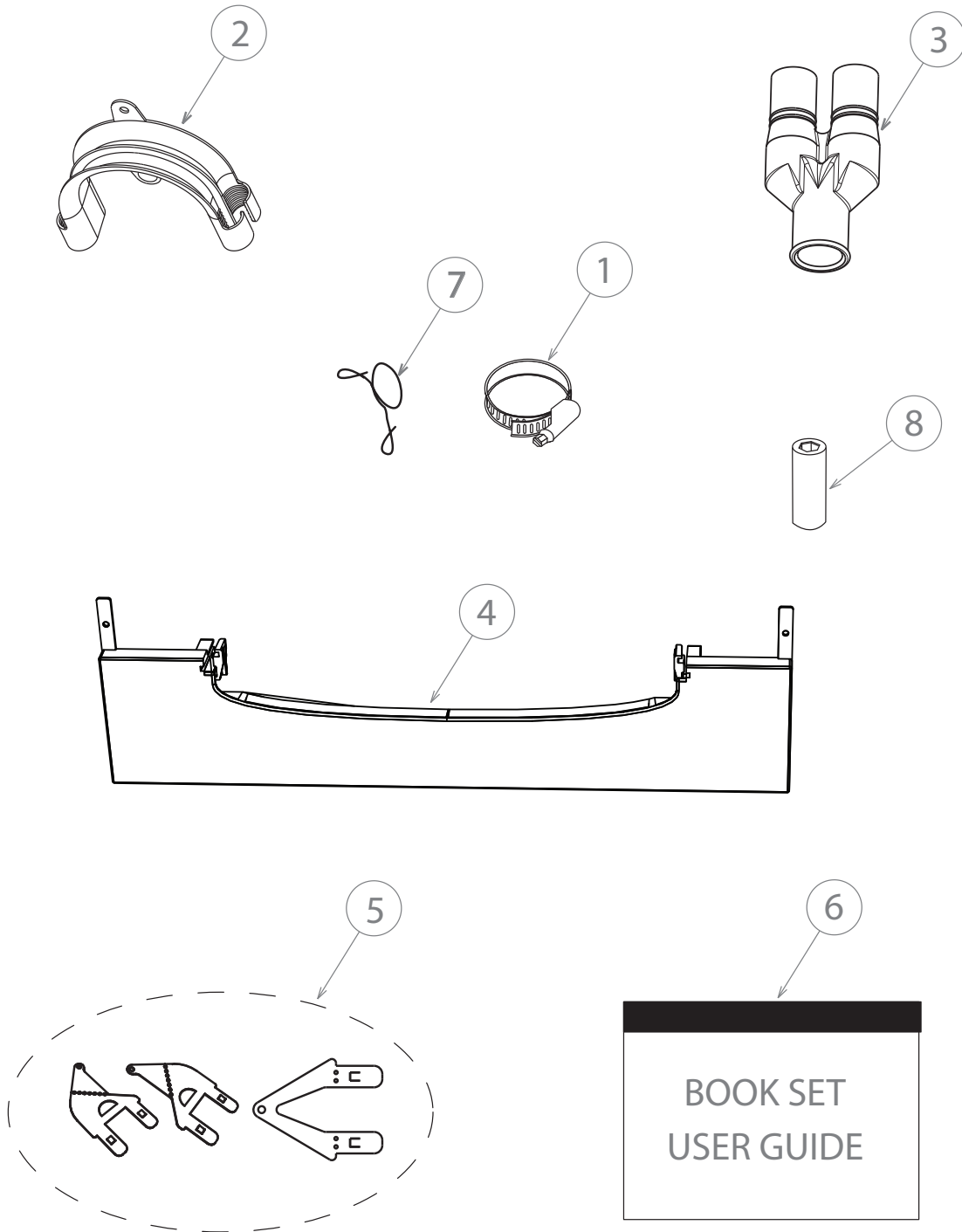
REF.	PART NUMBER	PART DESCRIPTION
NI	556600P	SCREW M3.5X14 PANTX K35 (PKT 10)
29	522765	KIT STRAINER SOFTENER ASSY
	<i>Includes</i>	<i>STRAINER SOFTENER ASSY</i>
	<i>Includes</i>	<i>INSTR SHT STRAINER SOFTENER</i>
30	527102P	SALT SENSE SMD 525 PH3.5
31	524842	BUNG SOFTENER ASSY MID GREY
32	529867	HARNESS WATERSOFTENER 605
33	526835	CONTAINER SALT FILLING
34	528063	FLAP VALVE FAN HOUSING 605
35	529039	ISOLATION DRYING FAN 605
36	528064	RETAINER FLAP FAN HOUSING 605
37	522163	KIT LOCKNUT INNER
	<i>Includes</i>	<i>LOCK NUT INNER 605</i>
	<i>Includes 522154</i>	<i>SHIM MOTOR ASSY 605</i>
	<i>Includes</i>	<i>INSTRUCTIONS SHIM MOTOR ASSY</i>
38	529157	COVER CONNECTOR ELEMENT 605
39	522154P	SHIM MOTOR ASSY 605
40	522723	COWLING BK ASSY

17 BASKET & RACKS



REF.	PART NUMBER	PART DESCRIPTION
1	522657	BASE RACK ASSY 606
2	523627	CROCK INSERT MP 7PS
	<i>Includes</i>	<i>COMB LHS MP 7PS CTD</i>
	<i>Includes</i>	<i>COMB RHS MP 7PS CTD</i>
	<i>Includes</i>	<i>CLIP FRONT FOLDDOWN 94</i>
	<i>Includes</i>	<i>CLIP LOCKED FOLDDOWN</i>
3	524146	KIT CLIP FRONT/BACK FD PH7
	<i>Includes</i>	<i>CLIP LOCKED FOLDDOWN</i>
	<i>Includes</i>	<i>CLIP FRONT FOLDDOWN 94</i>
4	523649	CROCK INS PA 60 ASSY
	<i>Includes</i>	<i>COMB PA FIXED 60 CTD</i>
	<i>Includes</i>	<i>COMB PA MOVING 60 CTD</i>
	<i>Includes</i>	<i>CLIP PA FRONT 60</i>
	<i>Includes</i>	<i>CLIP PA BACK 60</i>
5	524147	KIT CLIP FRONT/BACK PA
	<i>Includes</i>	<i>CLIP PA FRONT 60</i>
	<i>Includes</i>	<i>CLIP PA BACK 60</i>
6	523665	TRAPDOOR 48MM PHASE 7
7	522683	WIRE SUPPORT CUP RACK STD
8	522694P	CLIP CUPRACK SEMIFLEX (PKT 4)
9	524179	RACK CUP LH DD60 100MM ASSY
	<i>Includes 522694</i>	<i>CLIP CUPRACK SEMIFLEX</i>
10	524180	RACK CUP RH DD60 80MM ASSY
	<i>Includes 522694</i>	<i>CLIP CUPRACK SEMIFLEX</i>
11	523404	CUTLERY BASKET 60 ASSY
12	522687	CONTAINER CUTLERY BASKET ASSY
	<i>Includes</i>	<i>CONTAINER CB901</i>
	<i>Includes</i>	<i>CONTAINER LID CB 901</i>
13	523488	ST INSERT C BASKET 60
14	523447	TABLET INSERT C 60
15	522691P	SUPPORT GLASS CLIPON (PKT 2)
16	523326	DD KNIFE CLIP COMBINED





REF.	PART NUMBER	PART DESCRIPTION
1	528690	CLAMP HOSE DIA 32-14
2	525477	SUPPORT DRAIN HOSE
3	525067	DRAIN SPIGOT CONNECTOR DOUBLE
4	527108	KIT KICKSTRIP SILVER
NI	528782P	SCREW WS 8X5/8TWINFST ZP (PKT 10)
5	523007	KIT INSTALL TAB DISHDRAWER
	<i>Includes</i>	<i>TAB TOP (2)</i>
	<i>Includes</i>	<i>INSTALL TAB TTA (2)</i>
	<i>Includes</i>	<i>INSTALL TAB TTB (2)</i>
	<i>Includes</i>	<i>SCREW WS 8X5/8TWINFST MTSPH ZP (6)</i>
6	599687	BOOK SET USER DD60 EU-CON
	<i>Includes</i>	<i>BOOK USER DD60 EU-CON</i>
	<i>Includes</i>	<i>BOOK USER DD60 FP GB IE</i>
	<i>Includes</i>	<i>BOOK SERVICE & WARRANTY</i>
NI	590199	BOOK USER DISHDRAWER PH7 (EN)
7	525482P	CLIP WIRE DRAIN (PKT 2)
8	522158	KIT FOOT TOOLS 605
	<i>Includes</i>	<i>FOOT TOOL 605</i>
	<i>Includes</i>	<i>FOOT TOOL 45MM 605</i>
NI	522995	KIT INSTALL DBL/SGL PH5/PH6
	<i>Includes 525477</i>	<i>SUPPORT DRAIN HOSE</i>
	<i>Includes 525482</i>	<i>CLIP WIRE DRAIN (2)</i>
	<i>Includes 525067</i>	<i>DRAIN SPIGOT CONNECTOR DOUBLE</i>
	<i>Includes 525460</i>	<i>DRAIN SPIGOT CONNECTOR SINGLE</i>
	<i>Includes 528690</i>	<i>CLAMP HOSE DIA 32-14</i>
	<i>Includes</i>	<i>SCREW WS 8X5/8 TWIN FAST (7)</i>
	<i>Includes 526797</i>	<i>TAB TOP (2)</i>
	<i>Includes</i>	<i>FOOT TOOL 605</i>
	<i>Includes</i>	<i>FOOT TOOL 45MM 605</i>
	<i>Includes</i>	<i>INSTALL TAB TTA (2)</i>
	<i>Includes</i>	<i>INSTALL TAB TTB (2)</i>
	<i>Includes</i>	<i>CORNER PLUG TRIM DDTALL (4)</i>
	<i>Includes 527228</i>	<i>KIT TAPE UNDERBENCH</i>
NI	527228	KIT TAPE UNDERBENCH
NI	599703	SHT SET INSTL DD60D STD EU-CON
NI	522786	CARTON SLEEVE REPACK DD60D6



Fisher & Paykel
appliances

customer care™

www.fisherpaykel.com

Fisher & Paykel

Copyright © Fisher & Paykel 2014. All rights reserved.
The product specifications in this manual apply to the specific model described at the date of issue. Under our policy of continuous product improvement, these specifications may change at any time. Only use this manual if the product code on the front matches the product code on the serial label of the product.